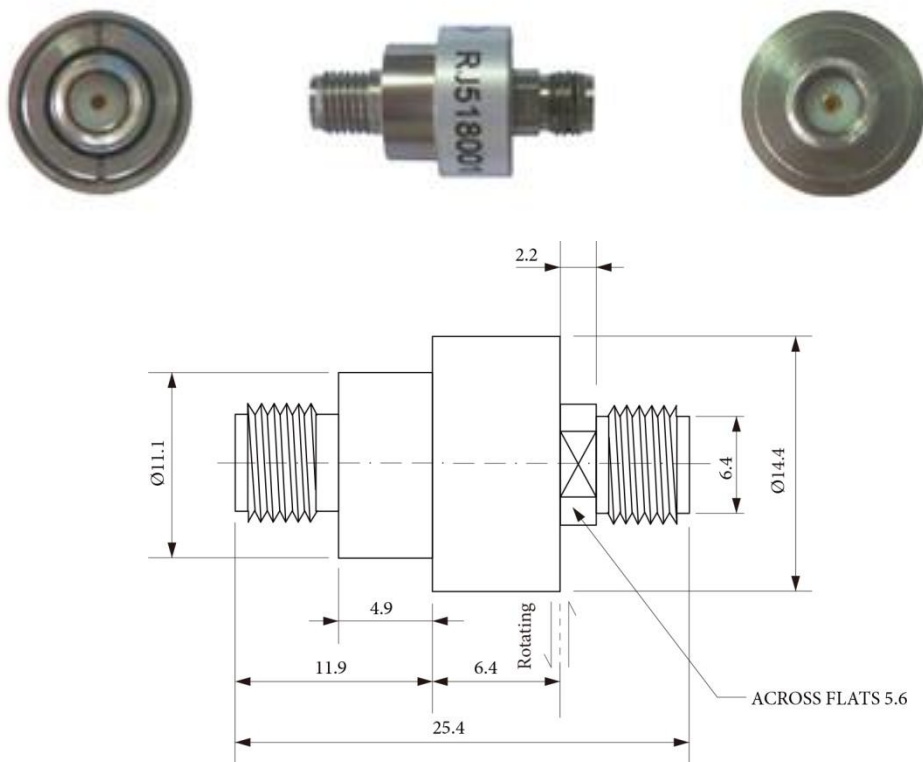


- Coaxial line with SMA connectors
- Small Size and lightweight, to fulfill your compact system



**Specifications**

Specifications			
Interface Type	SMA Female – SMA Female (50 ohms)	Style	I type
Frequency Range	DC to 18 GHz	Phase WOW (degrees max.)	1°
VSWR, max.	1.20 @ 0 to 6 GHz 1.25 @ 6 to 12 GHz 1.35 @ 12 to 18 GHz	Insertion Loss, max.	0.25 dB @ 0 to 6 GHz 0.35 dB @ 6 to 12 GHz 0.50 dB @ 12 to 18 GHz
VSWR WOW	0.03	Insertion Loss WOW	0.04 dB
Peak Power, max.	1500 W	Average Power, max.	200 W @ 1 GHz 30 W @ 18 GHz
Rotating Speed, max.	100 rpm	Life Time, Min.	0.5 million Revolutions
Starting Torque	2 Ncm Max.	Continuous Rotational Torque	1 Ncm Max.
Axial load on interface, max	± 2 N	Radial load on interface, max.	± 2 N
Body Material	Stainless Steel	Contact Pin Material	Beryllium Copper
Body Surface Finish	Passivated	Contact Surface Finish	Gold Plated
Weight	0.01 kg	Marking	Adhesive Label
Insulator Material	PTFE / Teflon	IP protection level	IP 40 acc. EN 60529
Temperature (Ambient Range)	-40 to +70°C (Operation)	Humidity (non-condensing), max.	85% (Operation)
	-50 to +70°C (Storage)		95% (Storage)