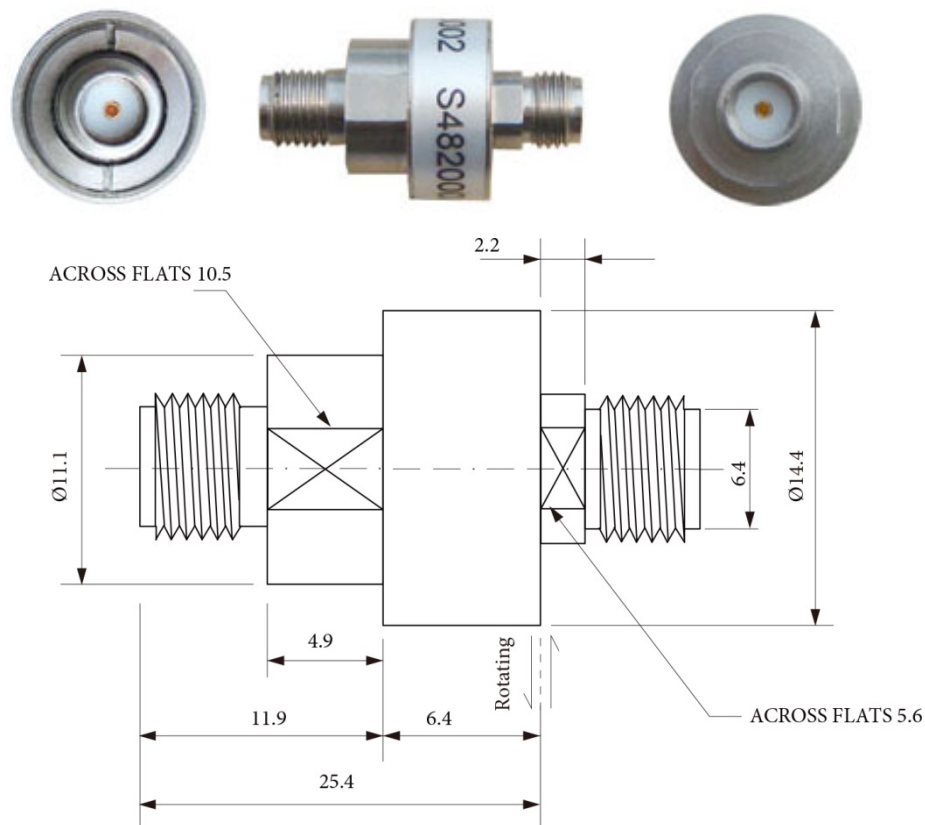


- Coaxial line with SMA connectors
- Small Size and lightweight, to fulfill your compact system
- Double D Across Flats for fixing



**Specifications**

Interface Type	SMA Female – SMA Female (50 ohms)	Style	I Type
Frequency Range	DC to 18 GHz	Phase WOW (Degrees Max.)	1°
VSWR, Max.	1.20 @ 0 to 6 GHz 1.25 @ 6 to 12 GHz 1.35 @ 12 to 18 GHz	Insertion Loss, Max.	0.25 dB @ 0 to 6 GHz 0.35 dB @ 6 to 12 GHz 0.50 dB @ 12 to 18 GHz
VSWR WOW	0.03	Insertion Loss WOW	0.04 dB
Peak Power, Max.	1500 W	Average Power, Max.	200 W @ 1 GHz 30 W @ 18 GHz
Rotating Speed, Max.	100 Rpm	Life Time, Min.	0.5 Million Revolutions
Starting Torque	2 Ncm Max.	Continuous Rotational Torque	2 Ncm Max.
Axial Load On Interface, Max	± 2 N	Radial Load On Interface, Max.	± 2 N
Body Material	Stainless Steel	Contact Pin Material	Beryllium Copper
Body Surface Finish	Passivated	Contact Surface Finish	Gold Plated
Weight	0.01 kg	Marking	Adhesive Label
Insulator Material	PTFE / Teflon	IP Protection Level	IP 40 Acc. EN 60529
Temperature(Ambient Range)	-40 to +70°C (Operation)	Humidity(Non-Condensing), Max.	85% (Operation)
	-50 to +70°C (Storage)		95% (Storage)