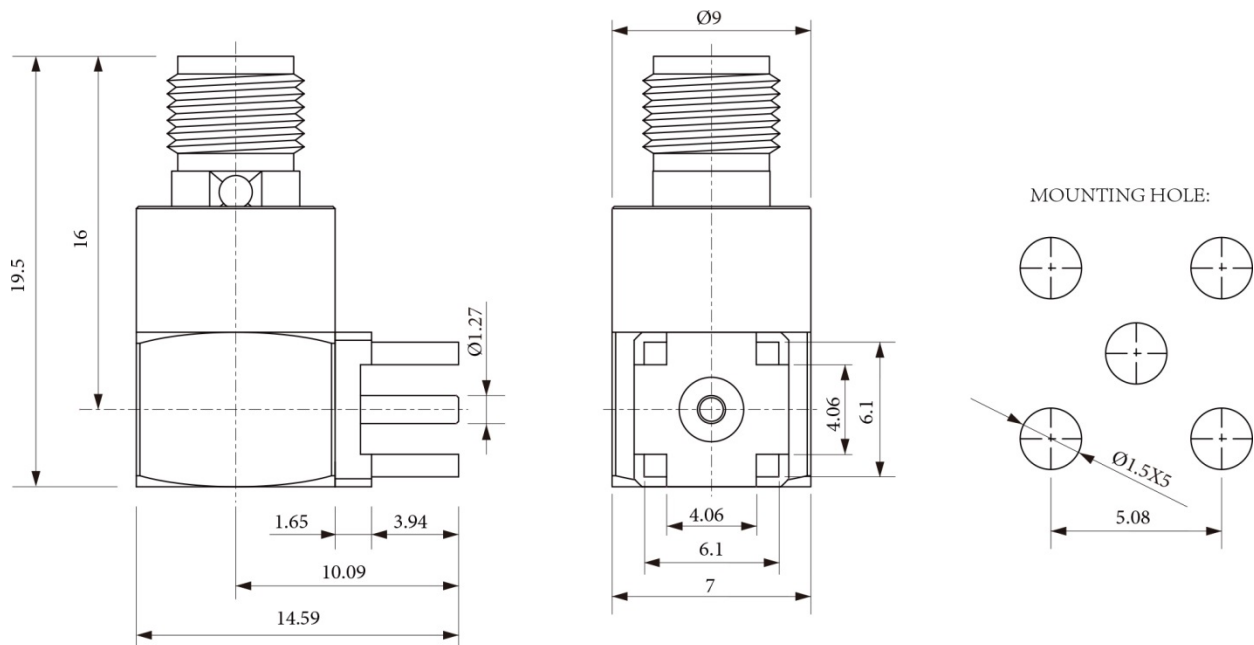


- Coaxial line with SMA connectors for PCB application
- Accross Flats for fixing



Specifications

Specifications			
Interface Type	PCB – SMA F (50 ohms)	Style	L Type
Frequency Range	0 to 12 GHz	Phase WOW (Degrees Max.)	1°
VSWR, Max.	1.15	Insertion Loss, Max.	0.3
VSWR WOW, Max.	0.01	Insertion Loss WOW, Max.	0.05
Peak Power, Max.	3000 W	Average Power, Max.	200 W @ 1 GHz 30 W @ 18 GHz
Rotating Speed, Max.	100 rpm	Life Time, Min.	0.5 Million Revolutions
Starting Torque	2 Ncm Max.	Continuous Rotational Torque	2 Ncm Max.
Axial Load On Interface, Max	± 2 N	Radial Load On linterface, Max.	± 2 N
Body Material	Stainless Steel	Contact Pin Material	Beryllium Copper
Body Surface Finish	Gold Plate	Contact Surface Finish	Gold Plated
Weight	0.01 kg	Marking	Adhesive Label
Insulator Material	PTFE / Teflon	IP Protection Level	IP 40 Acc. EN 60529
Temperature (Ambient Range)	-40 to +70°C (Operation)	Humidity (Non-Condensing), max.	85% (Operation)
	-50 to +70°C (Storage)		95% (Storage)